



**160.4371 | 3/4" 3-Way Diverter With Shut-Off**

**SPECIFICATIONS:**

- Turn Handle for water diversion.
- Includes valve (TVH.4371)
- Valve Flow Rate - 8.0 GPM @ 60 PSI

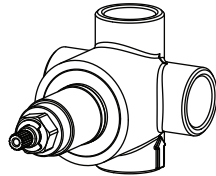
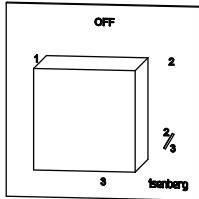
**STANDARDS:**

- ASME A112.18.1 / CSA B125.1

**FINISHES :**

- Chrome - 160.4371CP / Brushed Nickel - 160.4371BN

**!** A separate volume control is **not** needed to turn water supply off. Volume control functionality is integrated within this valve.



Trim  
[ 160.4371T\*\* ]

Valve  
[ TVH.4371 ]

Belgian Mirror Finish



Legislation Compliance

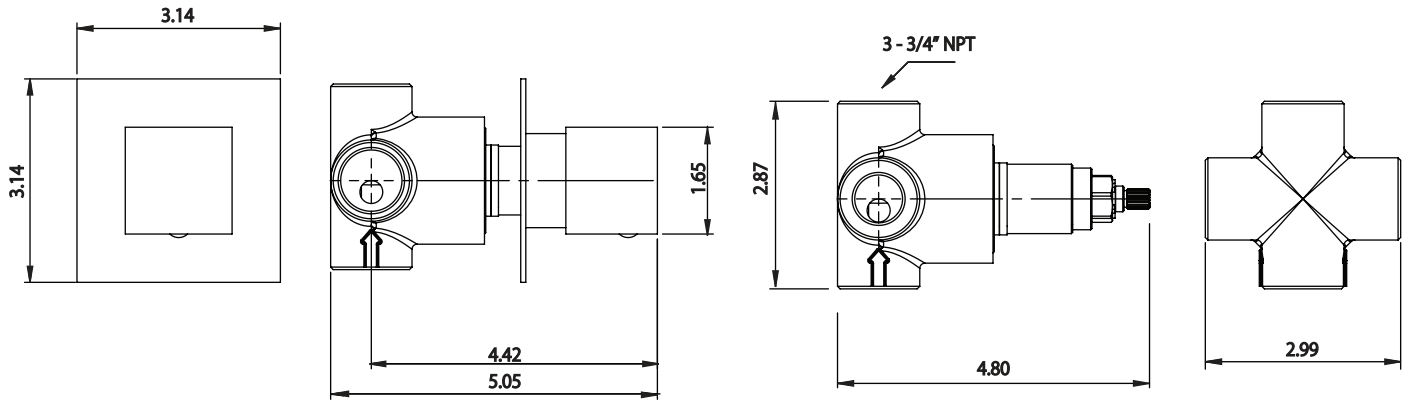


ZeroDrip Technology



**Technical Diagram**

See Spec Sheet For TVH.4371 For Detailed Information On Valve.



**Water Flow Diagram**

